

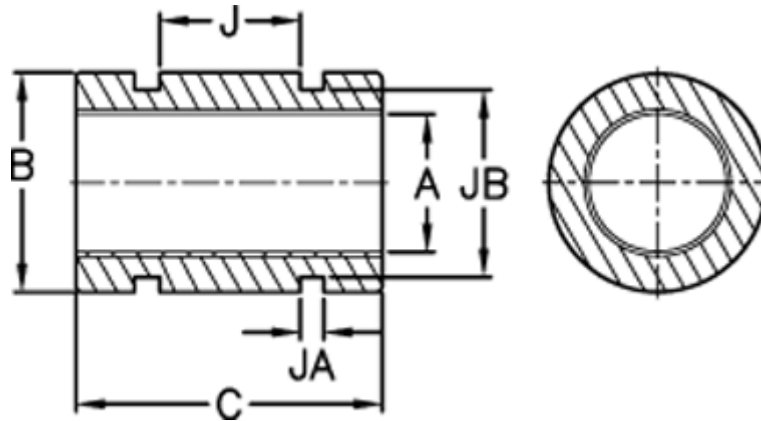
# Data Sheet



Article number: 5012008

Description: Thin wall bearing FMT 08

## Measures



A max	= 8.0350000000000001	For o-ring	= 12 x 1,7
A min	= 8.0129999999999999	J	= 10
B max	= 15	JA	= 2
B min	= 14.9819999999999999	JB	= 12.2
Bush weight kg	= 0.0071	Static load (kg)	= 404
C max	= 24	Surface area kcm	= 1.9
C min	= 23.7459999999999999		
Concentric mm	= 0.0254		